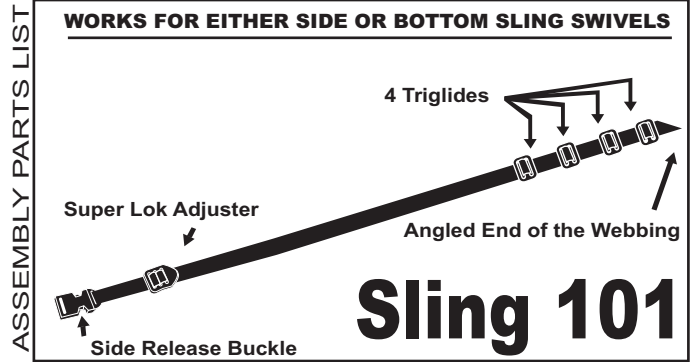
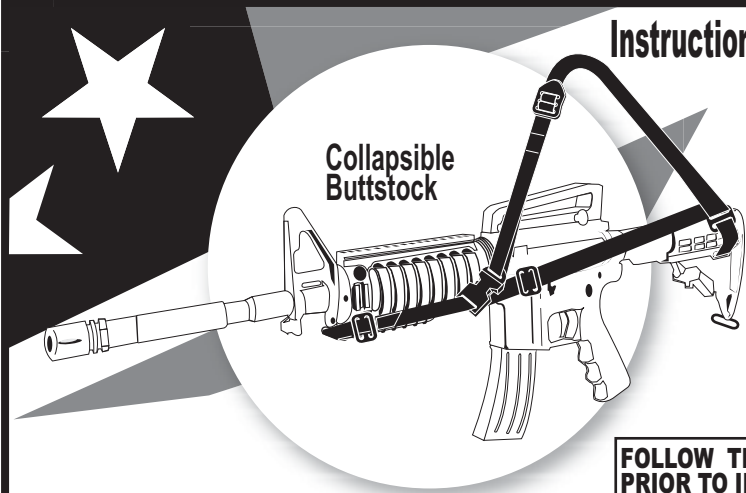


# Combat Fighting Sling

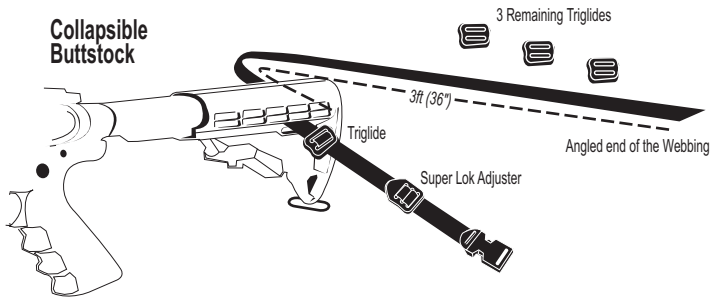
## Instructions for Sling 101 Assembly on Collapsible Buttstocks (M-4)



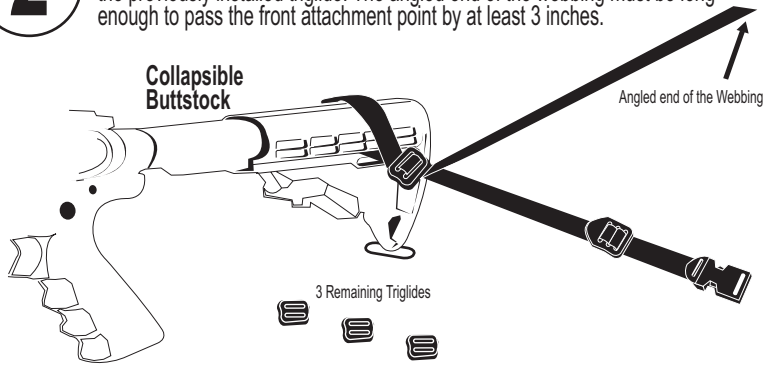
**FOLLOW THESE INSTRUCTIONS STEP BY STEP TO INSTALL THE SLING 101. PRIOR TO INSTALLATION, REMOVE ALL THE TRIGLIDES FROM THE SLING 101. THEN FOLLOW STEPS 1 THROUGH 6 UNTIL YOU FINISH THIS SIMPLE PROCESS.**

**\*NOTE:** COLLAPSIBLE BUTTSTOCK RIFLES REQUIRE THE USE OF 3 OF THE 4 TRIGLIDES. THE SPARE TRIGLIDE IS ONLY USED IN THE ASSEMBLY OF FIXED BUTTSTOCK RIFLES.

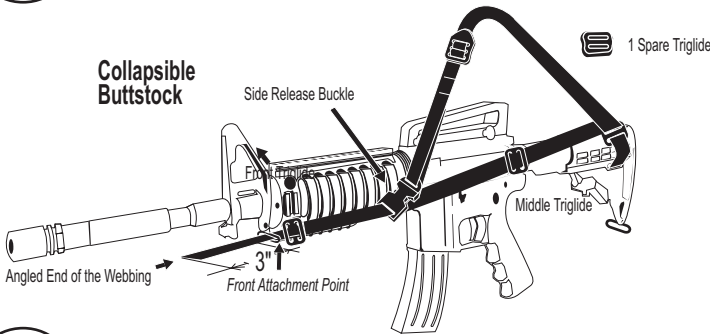
**1** **Collapsible Buttstock:** Insert the angled end of the webbing through one of the triglides and through the slot of the collapsible buttstock. For correct assembly, the distance between the angled end of the webbing and the triglide must be at least 3ft (36").



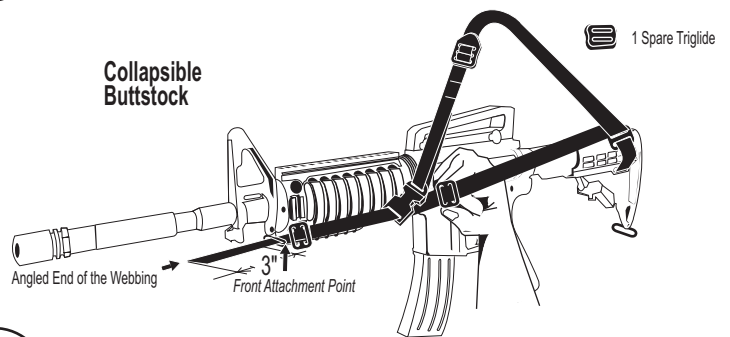
**2** **Collapsible Buttstock:** Back loop the angled end of the webbing through the previously installed triglide. The angled end of the webbing must be long enough to pass the front attachment point by at least 3 inches.



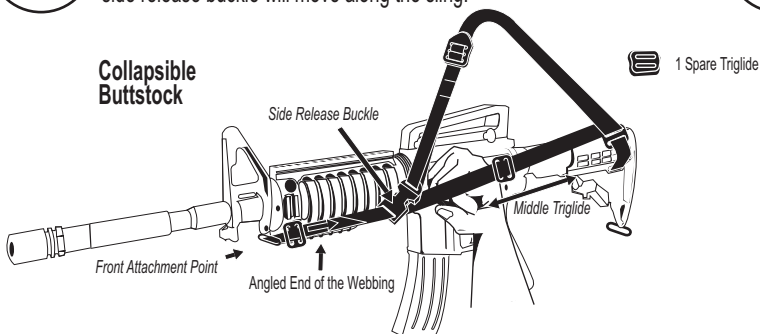
**3** **Collapsible Buttstock:** Insert the angled end of the webbing through another triglide. Next, insert the angled end through the side release buckle. Finally insert the angled end through a triglide.



**4** **Collapsible Buttstock:** In order to have proper sling tension, place your fist between the sling and the rifle, as shown, and insert the angled end of the webbing through the front attachment point of the rifle.



**5** **Collapsible Buttstock:** Back loop the angled end of the webbing through the front triglide. Adjust the middle triglide to modify the distance that the side release buckle will move along the sling.



**6** Now you are all set to use your Sling 101 on your collapsible buttstock rifle!!

